

8m Cattle Tent
With Side Shade Net
ASSEMBLY MANUAL
SIZE: W8m*L8m * H4.9m



SPECIFICATION

Width: 8m Length: 8m Height: 4.9m

IMPORTANT----READ MANUAL FIRST

Improper site preparation, assembly and maintenance may invalidate warranty and cause unnecessary and costly mistakes. If you have any questions contact your local dealer.

For Appropriately Installation, we have identified each individual component with the part code(No.) as indicated in the Parts List. Please refer to the part code numbers and drawing to ensure problem free assembly.

It's necessary to tighten the roof fabric enough to avoid "hammocks" on the roof and also re-tighten once or twice again after a few months of use. This is important when assembly in cold weather (autumn and winter) because the fabric is stiff then and when we got the sun and warm weather afterwards it will make the fabric " slack " again and need to be re-tighten before next winter.

Please take of snow immediately if not slide of by itself.

READ ALL INSTRUCTIONS BEFORE ASSEMBLY

1. Keep work area clean. Cluttered areas invite injuries. Do not set up near snow drifts, in slippery places, in high winds, or wet location.
2. Keep children away. All children should be kept away from the work area. Be aware of personal safety. Be careful not to pinch fingers with clips and tubes when assembling: when using makes sure there is adequate ventilation for exhaust and other dangerous fumes.
3. Do not over reach. Keep proper footing and balance at all times.
4. Do not assemble if under the influence of alcohol or drugs. Read warning labels on prescription to determine if your judgment or reflexes are impaired while taking drugs. IF there is any doubt, do not assemble.
5. Be aware of possible windy conditions; fasten the base in concrete if these situations may occur. Remove the cover during hurricane.
6. Be careful with power and heat sources. Do not keep heat sources near the tarpaulin. Do not expose to open flame.
7. Be aware of personal safety during assembly and use .Be careful not to pinch fingers with clips and tubes when assembling when using makes sure there is adequate ventilation for exhaust and other dangerous fumes.

8m Cattle Tent ----Spare Parts List

Part	Description	Qty
1	Top tee tube	2
1A	The top four tube	3
2	Sidewall Bent Tube	6
2A	Sidewall Bent Tube for front and back doors	4
3	Shoulder tube	4
3A	Standing Leg	10
3B	Shoulder tube with Iron plate	6
4	Purlins	16
4A	Top purlin	4
4B	Top cross bar	6
4C	Top hangers	3
5	Guardrail for Front, Back Middle wall	18
5A	Guardrail for Front, Back Side wall	4
6	Base Plate at Middle	6
6L	Base Plate at Left Corner	2
6R	Base Plate at Right Corner	2
7	Base Plate for Front and Back Door	4
8	Lower Standing Leg for Front and Back Door	4
9	Upper Standing Leg for Front and Back Door	4
10L	Left Door	1
10R	Right Door	1
11	Door Beam on Both Doors	2
12	Single Pipe Clips with M10*30 Screw Assembled	24
13	Double Pipe Clips with M10*30 Screw Assembled	28
14	8*80 Carriage Bolts	114
15	10*90 Carriage Bolts	28
17	Tapping Screw	4
18	Bottom Tensioning Tube for Roof Cover	2
19	Roof Cover	1
19A	Back Cover	1
19B	Side Cover With Shade Net	2
20	Ratchet With Belts	10
22	Ropes	1
23	Stake Peg	32
24	Dia 25mm Plastic Caps	4
25	Dia 40mm Plastic Caps	30
26	10*30 Bolts	16

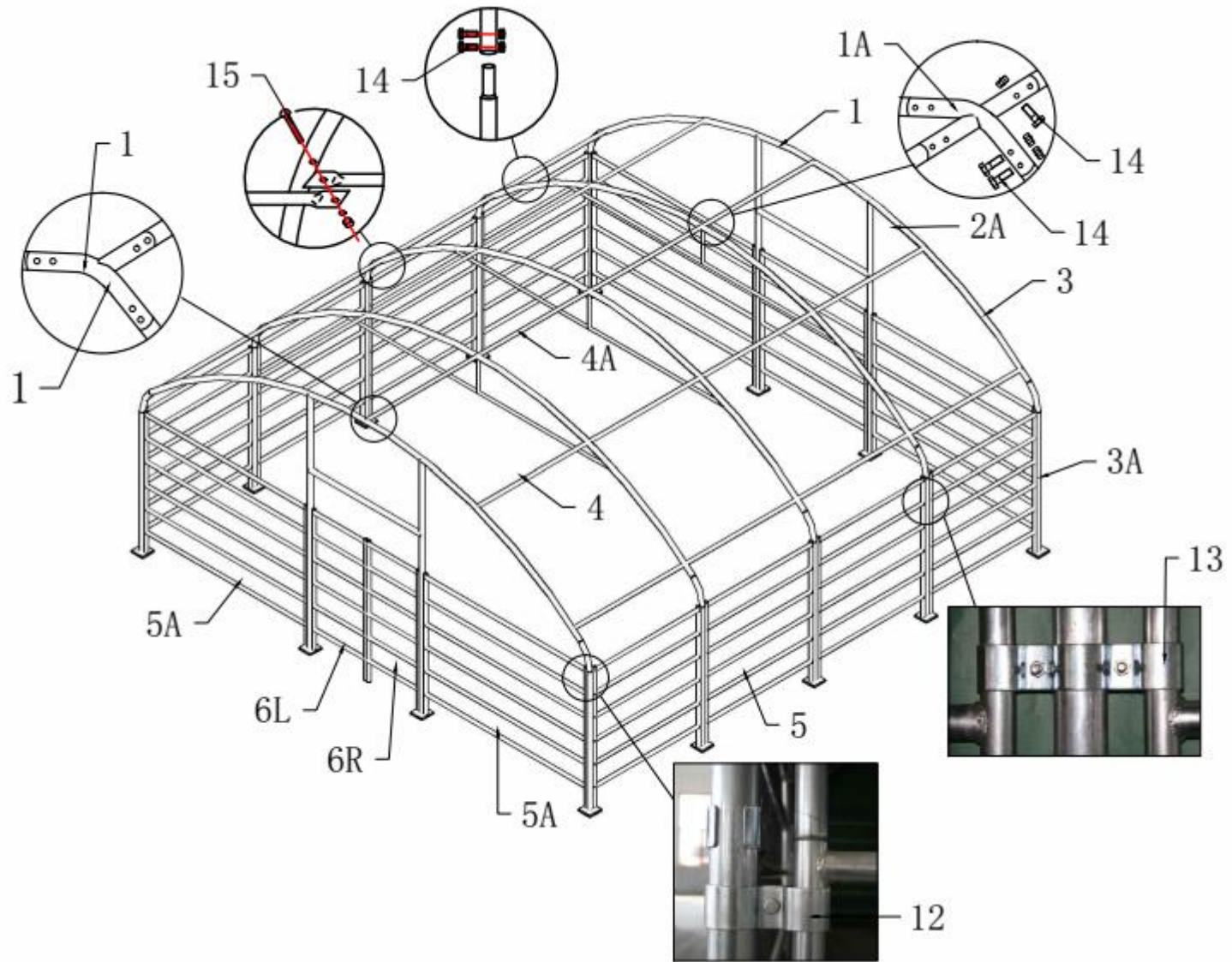


Figure 1: Sketch of Steel Frame

EQUIPMENT AND TOOLS FOR INSTALLATION

- | | |
|-------------------|----------------------------|
| 1. Measuring Tape | 2. String for alignment |
| 3. Stake | 4. Ladder or Scissors Lift |
| 5. Sledge Hammer | 6. Drill |
| 7. Wrench | 8. Knife |
| 9. Hoist | |

INSTALLATION PROCESS

A----BASE INSTALLATION

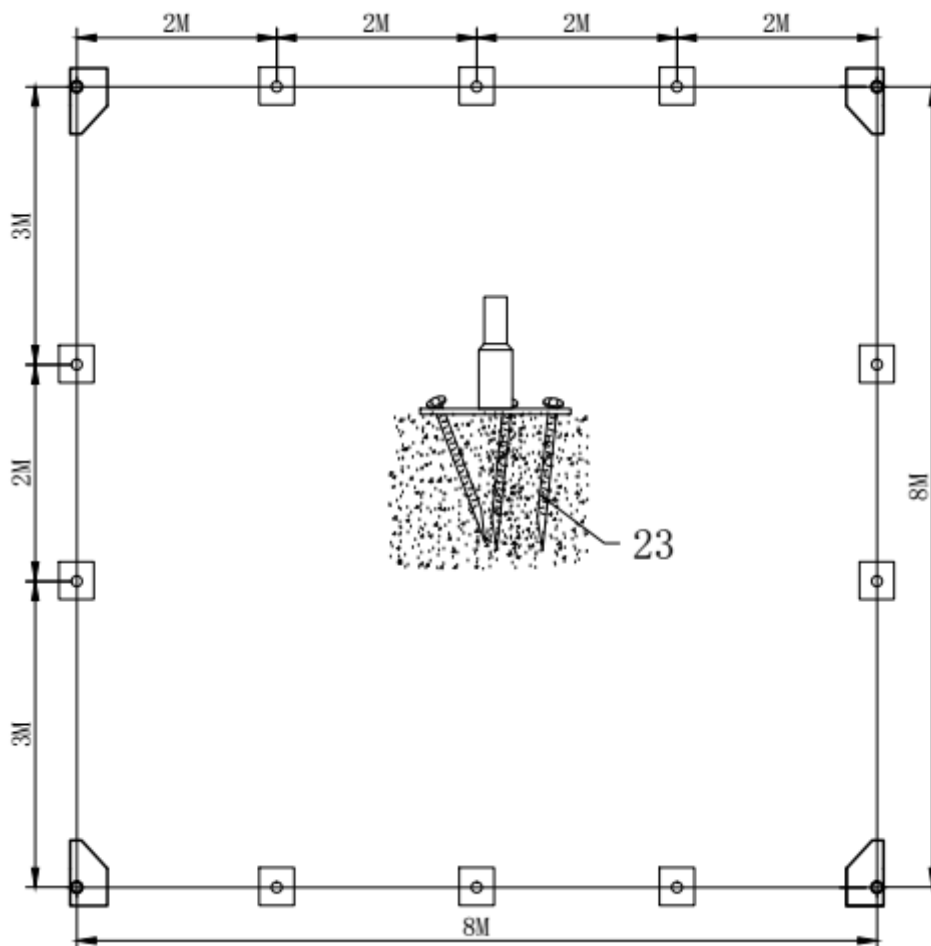


Figure 2

1. Please refer to the diagram (**Figure 2**) to place the base plates(No.6/6L/6R/7). The measurement is from center to center of tubes on the base palates. Referring to the above diagram and confirm the place of base plates.
2. As **Figure 2** shows each Base plate is equipped with 3 pieces of **Stake Peg(No.23)**. There are three holes on the plates for **Stake Peg(No.23)**.
3. Mark the Stake Peg hold through the base plate by using the Stake Peg. Move the base plates away and then mark determines where the stake peg will be.

Note: The Stake Peg is not available for concrete ground. If you want to assembly on concrete ground, please prepare some expansion bolts.

B---FRAME INSTALLATION

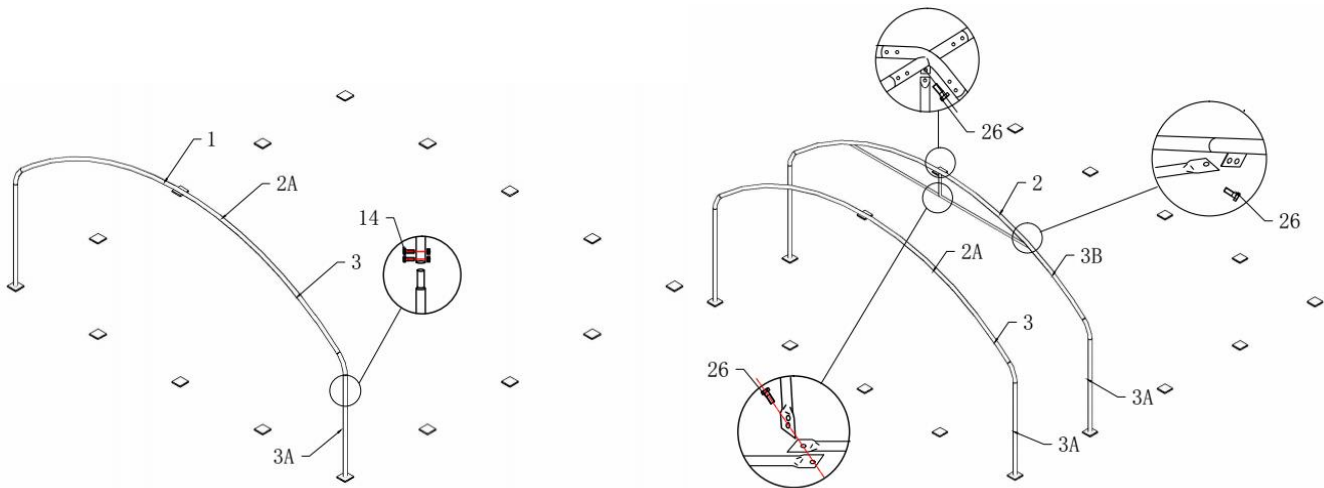


Figure 3

1. Find out 1 pcs of **Roof Bent Tube**(No.1), 2 pcs of **Sidewall Bent Tube**(No.2), 2 pcs of **Standing legs**(No.3).
2. Install the first group arches as **Figure 3** shows, Connect **Sidewall Bent Tube**(No.2) and **Standing Leg** (No.3) by using **M8*80 Carriage Bolts** (No.14).
3. Install the second group arches same as the first group .

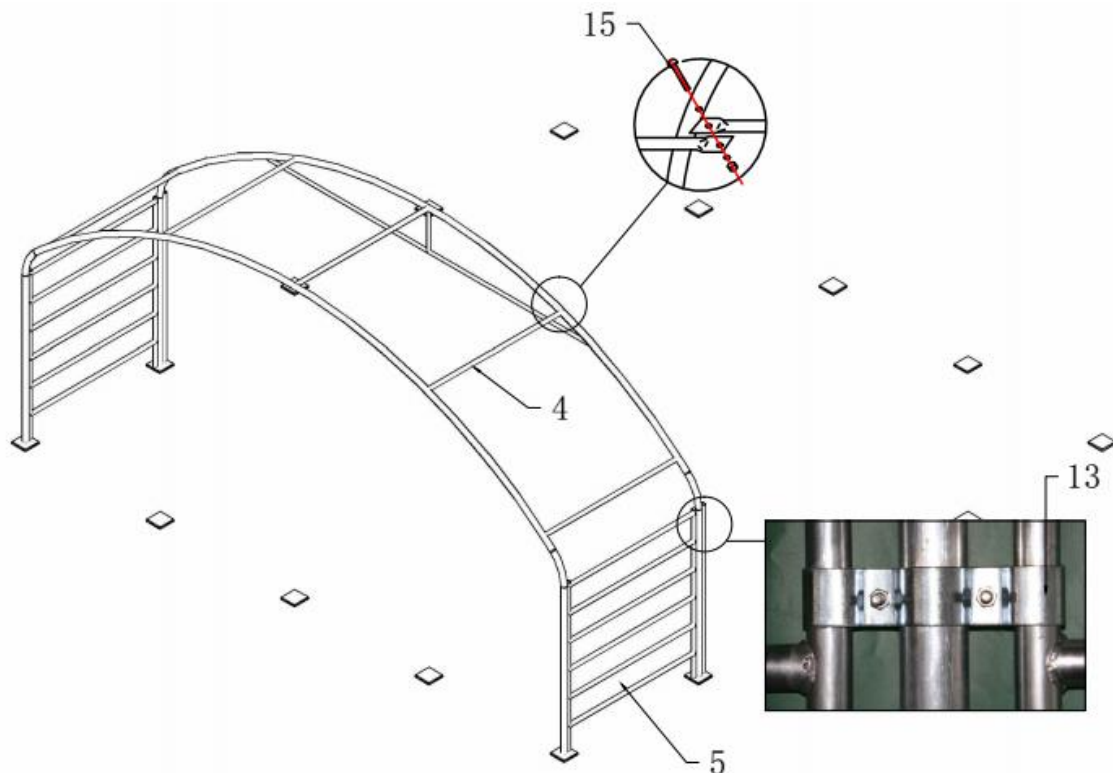


Figure 4

4. Connect the first two groups arches by **Purlin** (No.4) and **Sidewall Guardrail**(No.5) with **M10*90 Bolts**(No.15).
5. Assembly the **Guardrail** (No.5) to the arches by **Double pipe Clips** (No.13), there are M10*30 screw for connection.

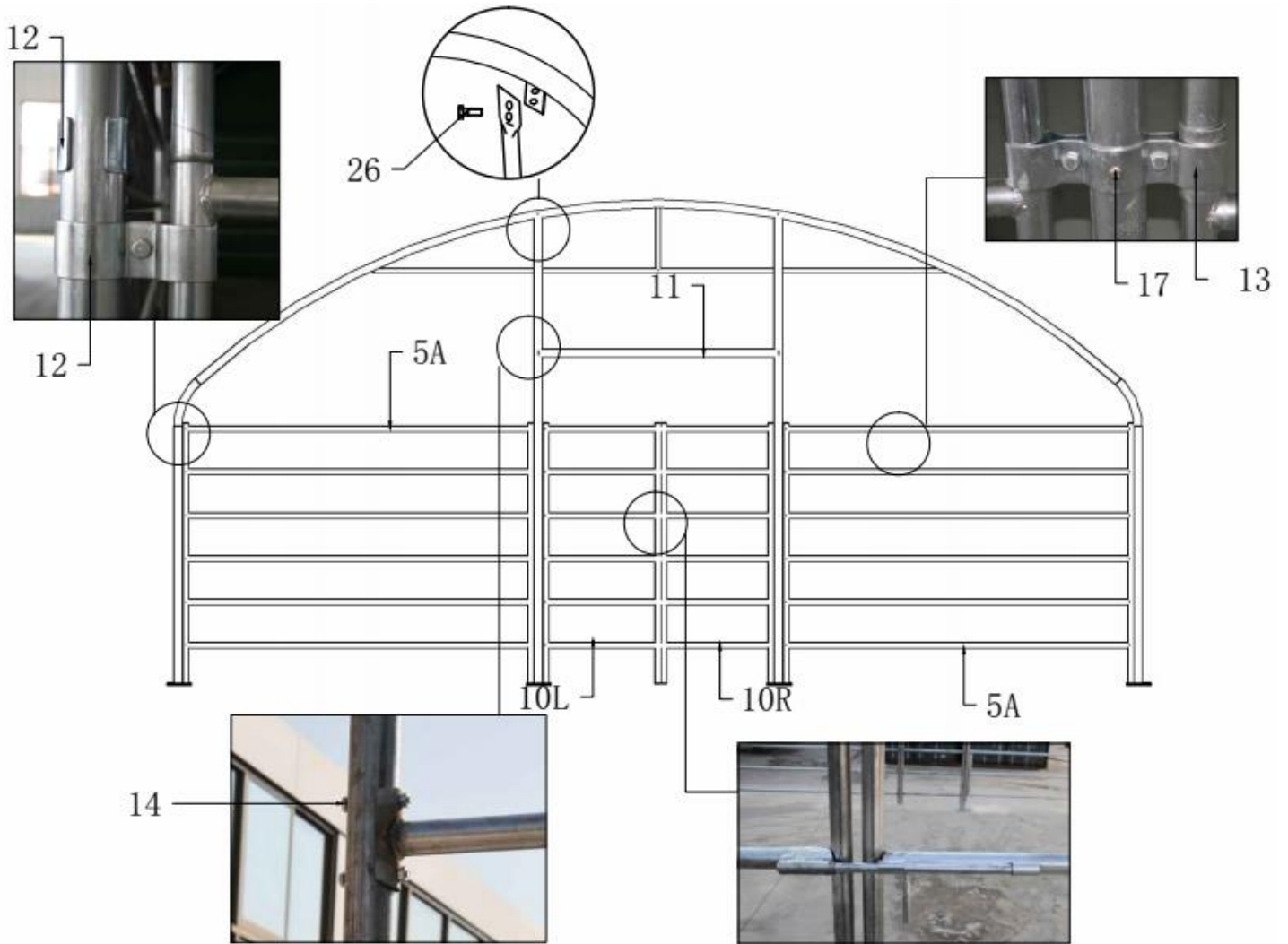


Figure 5

6. Install the front and back panel according to **Figure 5** and **Figure 6** and **7**.

C--- INSTALLING BACK DOOR COVER

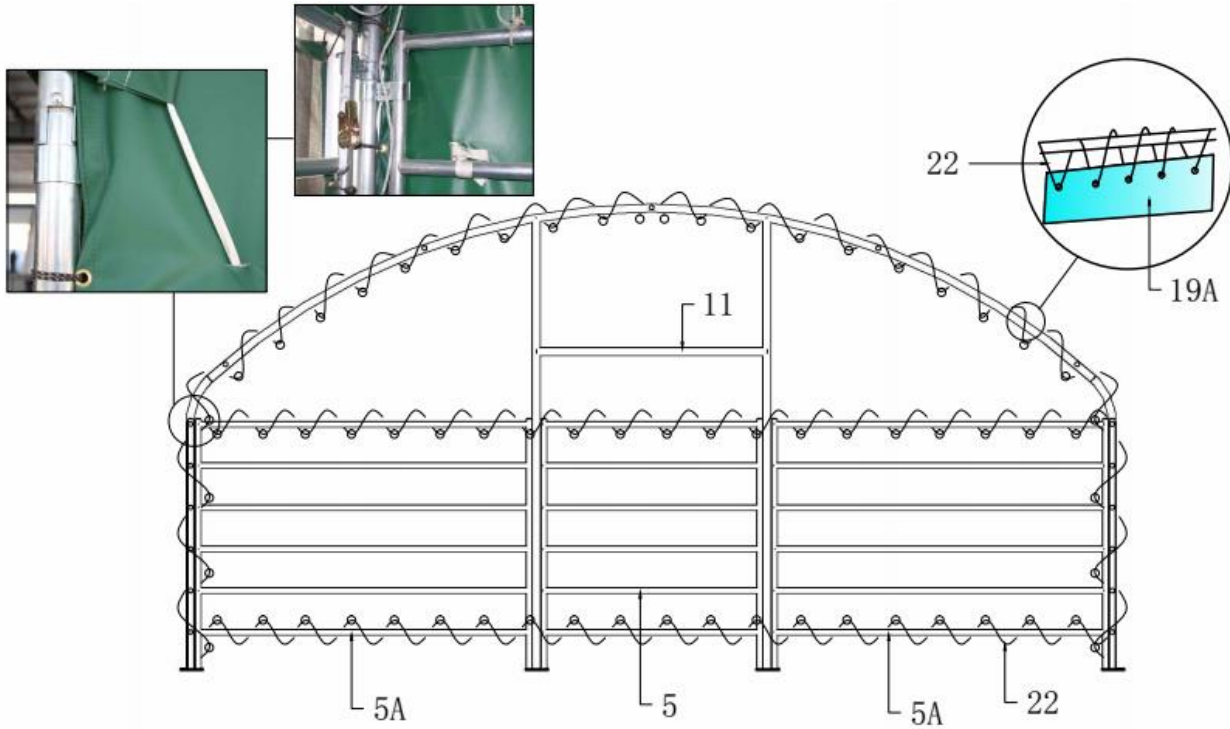


Figure 6

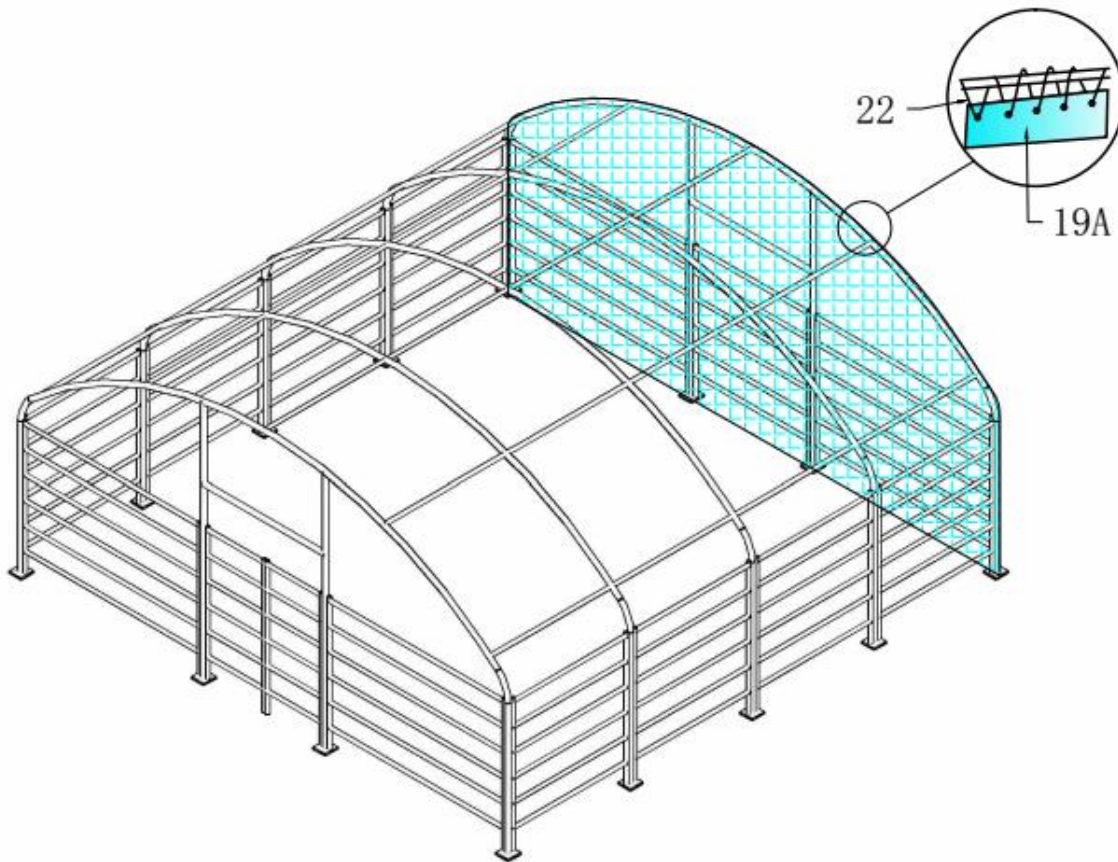


Figure 7

Install the **Back Door Cover(No.19A)** with **Ropes(No.22)**. Reference to **Figure 6** and **Figure 7**.

D--- INSTALLING ROOF COVER & SIDE SHADE NET

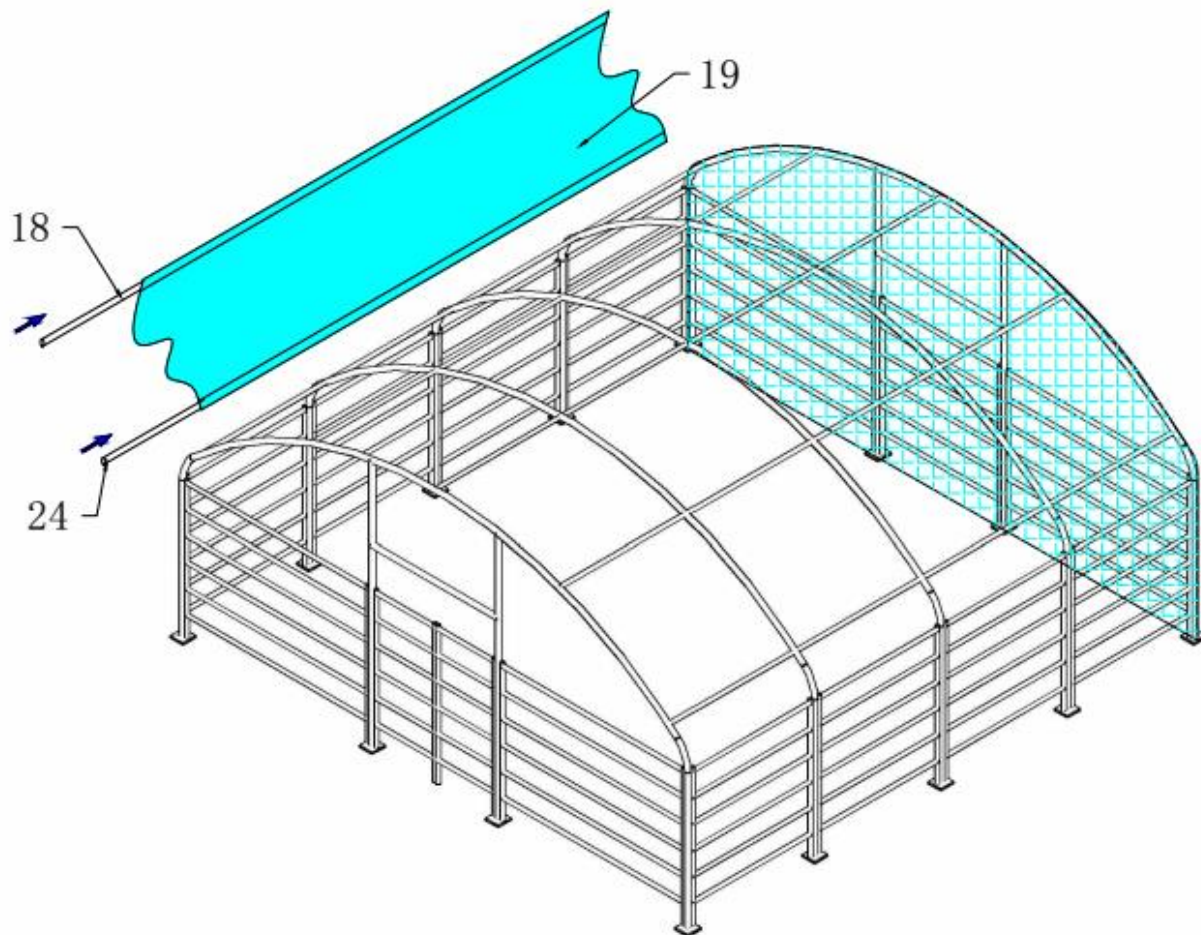


Figure 8

1. Insert the **Bottom Tensioning Tube (No.18)** into the pockets on the edge of outside **Roof Cover(No.19)**.
2. Insert the dia 25mm plastic cap (No.24) at end of **Bottom Tensioning Tube (No.18)** to prevent scratch and water.

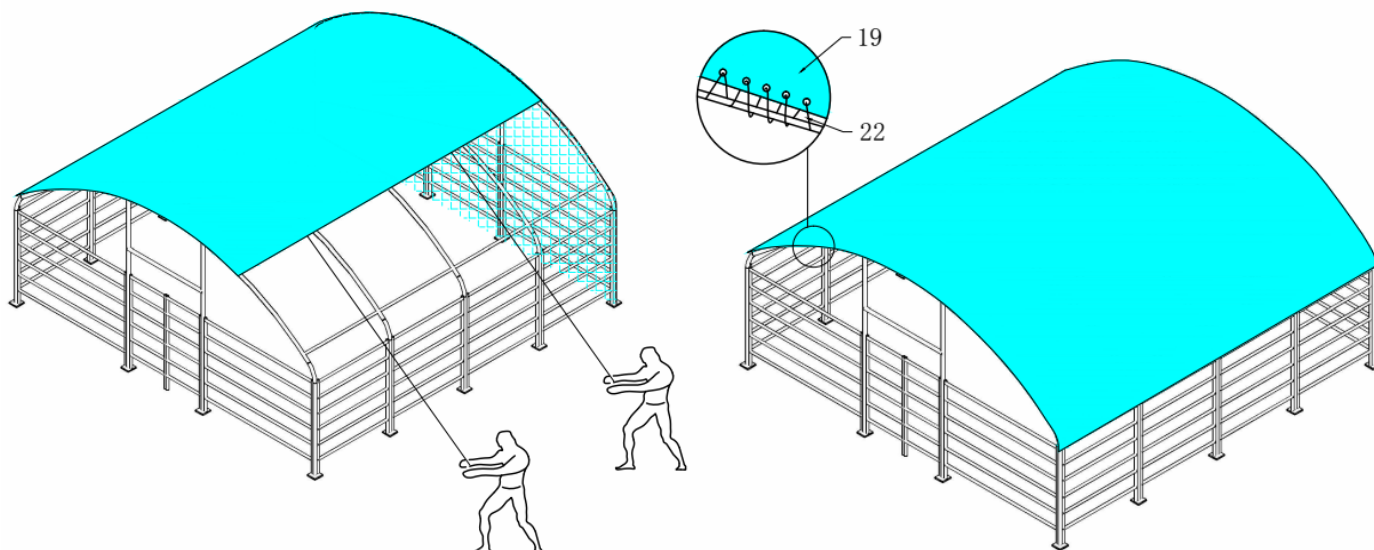


Figure 9

3. Find some people to throw the rope from one side to the other side up and over the construction of the frame, then pull the rope as the above shows.
 4. Use ropes to knit through the eyelets on roof cover to connect the cover to the steel frame.
- Note: Pull the cover over the frame EVENLY, CAREFULLY AND SLOWLY**
Do not install the cover onto the frame of your building in high wind conditions.

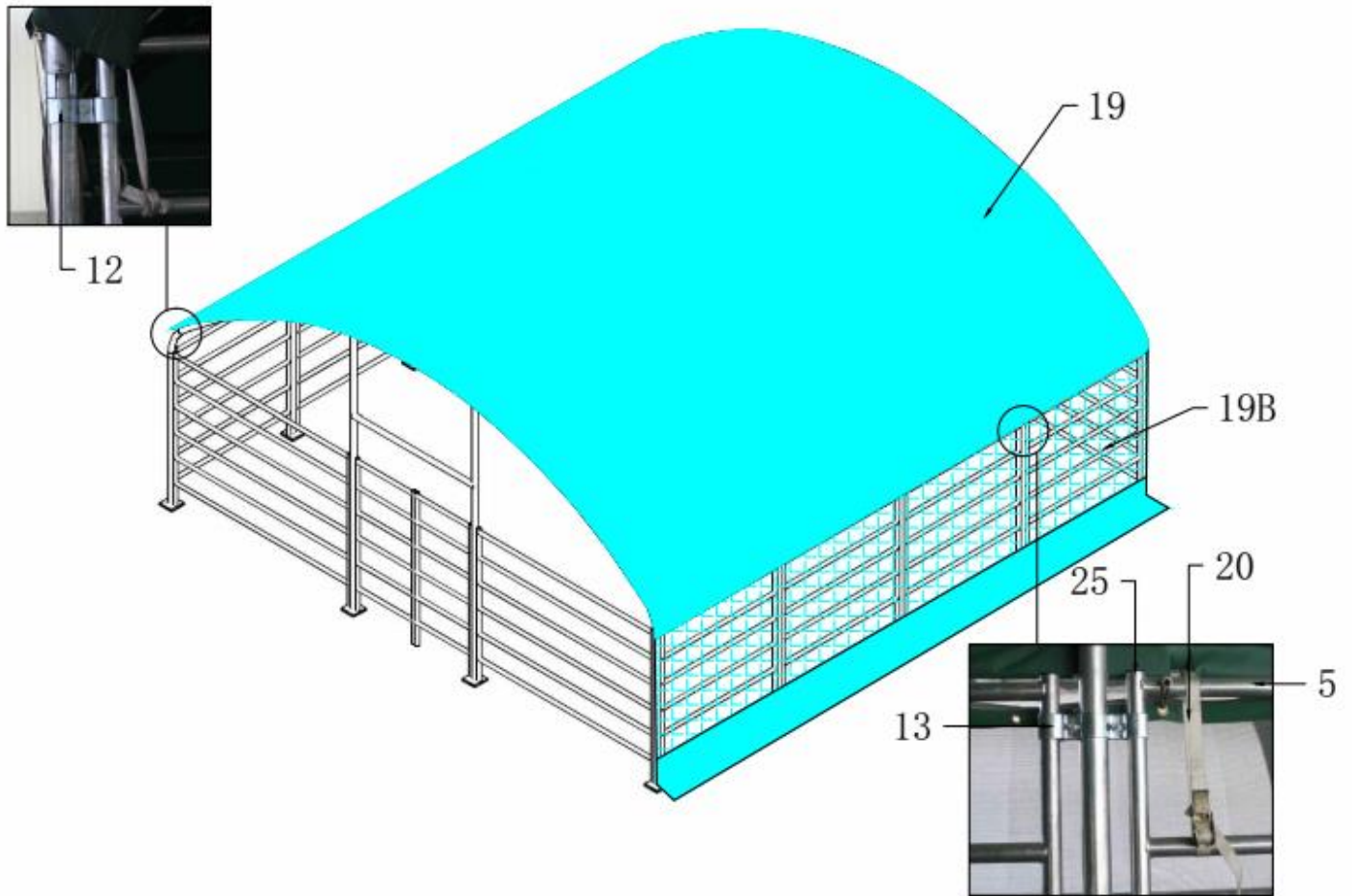


Figure 10

1. Assembly the side shade net by ropes.
2. After tidy the cover. Cut some pocket to let the tensioning tube (No.18) come out.
3. Use the Ratchet with belts to tie the tensioning tube to the guardrail, thus the roof cover could be tightened.
4. There are belts at two ends of roof cover, tighten the belts to let the roof cover stick to the frame, then tidy the two ends of the belts onto the frame.
5. Insert the dia 40mm plastic cap (No.25) at end of Guardrail (No.5) to prevent scratch and water.

Now your assembly is completed.